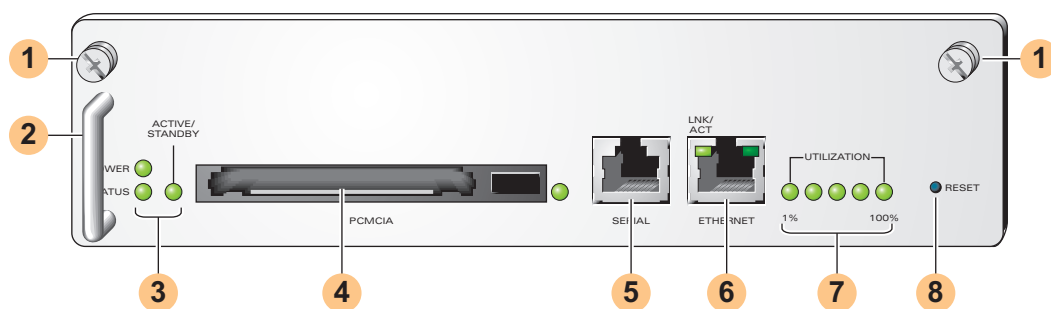


# Alcatel OmniAccess 6000 Supervisor Card Installation Instructions

These installation instructions describe the steps needed to insert and remove the Alcatel 6000 Wireless LAN switch supervisor module (OAW-SC-1). The supervisor cards are hot swappable<sup>1</sup>. Hot swapping allows the supervisor card to be replaced without shutting down the Alcatel Wireless LAN Switch.

## Physical Description



### The Supervisor Card

- 1 Module Fastening Screws
- 2 Module Handle

This handle is used for removing or inserting the module into the switch chassis.



**CAUTION**—Do not use the Supervisor Card Module handle for lifting or moving the Alcatel Wireless LAN Switch. Serious damage could result.

1. Hot swapping a supervisor card on a live Alcatel 6000 WLAN switch is service affecting and all traffic processing will stop until a replacement supervisor card is installed, configured, and operating.

### 3 Indicator LEDs

**TABLE 1** LED Description

LED	State	Description
Power	Green	Module is receiving proper DC power.
	Off	Module is powered off.
Status	Green	Module has booted and is functioning properly.
	Off	Module is loading software.
	Amber	Module has loaded software and is initializing.
	Red	Module has failed.
Active/Standby	Green	Module is in active mode.
	Amber	Module is in standby mode.
	Off	Module has not yet determined an operating mode.

### 4 PCMCIA Type II Interface

### 5 Serial Port

### 6 10/100 Mbps Ethernet (FE) Management Port

**NOTE**—Ethernet traffic on this port is *out-of-band*; this port is segmented from regular switching and routing functions and cannot be used as a network data port.

### 7 Utilization LEDs

### 8 Reset button

## Inserting a Supervisor Card

---



**CAUTION**—This procedure should be performed only by a trained technician.

---



**CAUTION**—Be sure to exercise proper Electrostatic Discharge (ESD) precautions when handling Alcatel 6000 5000 components.

---

The supervisor card is hot-swappable and can be inserted into the Alcatel Wireless LAN Switch chassis while system power is on or off.

- 1 Make sure you understand the procedure and all precautions.  
Before beginning, read the entire procedure. Make sure you understand all the precautions in these instructions.
- 2 Prepare the supervisor slot.

The first supervisor card should be installed in Slot 0 of the Alcatel Wireless LAN Switch chassis. A second optional supervisor card can be installed in Slot 1 if desired. Supervisor cards cannot be installed in Slot 2 or Slot 3.



**CAUTION**—Make sure that the fastening screws for the module above the supervisor card slot are fully secured. If the module in Slot 2 or Slot 3 is loose, it could interfere with the new module insertion and possibly damage the components.

---

If replacing a previously installed module, first see [“Removing a Supervisor Card”](#).

To install a module in an empty bay, first remove the blank cover plate. To do this, use a #2 Phillips or cross-head screwdriver to loosen both of the fastening screws on the blank cover plate. The screws loosen with counter-clockwise rotation but are captive and cannot be fully removed.

- 3 Carefully insert the supervisor card into the chassis slot.  
Hold the supervisor card by the handle. Align the rear of the card with the guide-rails in the chassis slot and gently slide the module toward the backplane. Do not force the module; it should slide in easily most of the way.
- 4 Engage the supervisor card.

There may be moderate resistance when the supervisor card meets the connectors in the backplane. Press firmly so that the connectors at the back of the module engage with the backplane, but do not use excessive force. If the system is powered up, the module’s Power LED will light up green if the supervisor card is inserted properly.

- 5 Secure the supervisor card.  
Use a #2 Phillips or cross-head screwdriver to push in the captive fastening screws and turn them clockwise until moderate resistance is felt. Do not over-tighten.
- 6 Connect the appropriate network cables.

## Removing a Supervisor Card

---



---

**CAUTION**—This procedure should be performed only by a trained technician.

---

The supervisor card is hot-swappable and can be removed from the Alcatel Wireless LAN Switch chassis while system power is on or off.

- 1 Make sure you understand the procedure and all precautions.

Before beginning, read the entire procedure. Make sure you understand all the precautions in these instructions.

- 2 Disconnect all cables attached to the supervisor card.
- 3 Loosen the module's fastening screws.

At the front of the Alcatel Wireless LAN Switch, use a #2 Phillips or cross-head screwdriver to loosen both of the fastening screws on the faceplate of the installed supervisor card. The screws loosen with counter-clockwise rotation, but are captive and cannot be fully removed.

- 4 Remove the supervisor card.



---

**CAUTION**—Make sure that the fastening screws for the module above the supervisor card slot are fully secured. If a module in an upper slot (Slot 2 or 3) is loose, it could interfere with the removal of the supervisor card and possibly damage the components.

---

Grasp the module handle firmly and draw the supervisor card forward from its slot. There may be moderate resistance as the module comes free from its connections with the chassis backplane, but do not use excessive force. Once disengaged from the backplane, the supervisor card should easily slide out the rest of the way.

- 5 Cover blank slots.

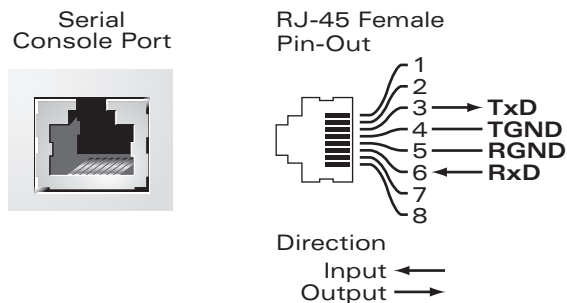
For safety considerations, as well as to promote proper airflow for cooling and to prevent dust from entering the switch chassis, cover any unoccupied slot with a blank cover plate.

## Port & Cable Specifications

---

### Serial Port

The serial port is located on the front panel of the supervisor card. The port's RJ-45 female connector accepts an RS-232 serial cable a male connector. Pin-outs are shown in [Figure 1](#):



**FIGURE 1** Serial Port

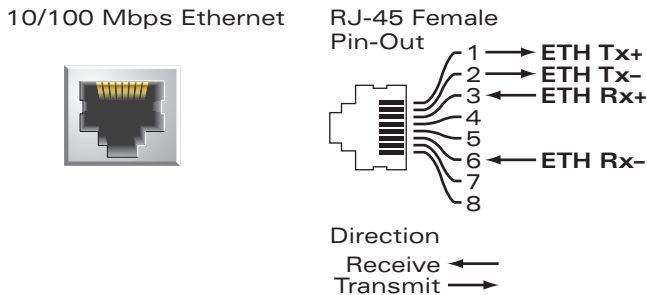
Communication settings for the console port are specified in [Table 2](#):

**TABLE 2** Console Terminal Settings

Baud Rate	Data Bits	Parity	Stop Bits	Flow Control
9600	8	None	1	None

## FE Port

The FE port provides a 10/100 Mbps Ethernet connection to a network. The RJ-45 female connector port pin-outs are shown in [Figure 2](#):



**FIGURE 2** FE Port

The port accepts a 4- or 8-conductor Category 5 (or better) UTP Ethernet cable with an RJ-45 male connector. A straight-through cable is required for connection to a network port. A crossover cable is required for connection to a management workstation.

For cables that run through plenums or air-handling spaces as described in NEC (2002) Article 300.22(C), the cable should be suitable under NEC Article 800.50 and marked accordingly for use in plenums and air-handling spaces with regard to smoke propagation, such as CL2-P, CL3-P, MPP or CMP. Be sure to install cables in accordance with all applicable local regulations and practices.

## Contacting Alcatel

---

### Web Site

- Main Site <http://www.alcatel.com>
- Support <http://www.alcatel.com/enterprise>

### Telephone Numbers

- Main US/Canada (800) 995-2612
- Main Outside US (818) 880-3500